

BELMOND
GRAND HIBERNIAN
IRELAND

Welcome to Belmond Grand Hibernian

You're gliding
past emerald hills,
craggy coastline
and weathered
ruins. This is the
land of legends.

Discover Ireland

With wild landscapes, a fascinating history and rich culture, there's much to love about the Emerald Isle. Fine food and festive frolics cheer the spirit

Ireland is a place of rugged, romantic vistas, steeped in ancient lore. It's a land where shingle shores were carved by giants. Ceilidhs and fleadh come alive to the sound of fiddles and folk music. Yet there's more to the Emerald Isle than getting merry on St. Patrick's Day. Belmond Grand Hibernian takes you on a unique journey across the Republic of Ireland and Northern Ireland to the country's green and gallant heart.

The country's history can be grasped through its diverse terrain, each spectacle a monument to a bygone era. Glide among weathered hills and ruins. Tour Cork with a local historian, ride a classic jaunting car towards Ross Castle, visit a traditional farm and watch an impressive sheepdog demonstration, and experience the majestic 18th-century Georgian country house, Hillsborough Castle – the official Northern Ireland residence of HM Queen Elizabeth II.

Get a taste of Ireland with local specialities such as Gubbeen cheese, Galway oysters and Connemara Hill Lamb. Sample “the black stuff” – Guinness – which has been in production since 1759, or visit Jameson distillery for some of the country's finest whiskeys. There's always a brimming calendar celebrating Ireland's rich culture, including internationally renowned art, film and music festivals. This is céad míle fáilte, the land of a hundred thousand welcomes, and we can't wait to greet you.





*“May the road rise to meet
you, may the wind always
be at your back...”
— Irish proverb*



CHAPTER TWO

Life On Board

Enter a world in which elegant carriages, traditional onboard entertainment and Ireland's mythical landscapes set the scene for adventure

The first of its kind in the country, our midnight-blue sleeper sets the benchmark for luxury train travel in Ireland. Nonetheless, its elegant carriages are steeped in history, each named after a county of this spectacular land. They're adorned with artwork inspired by Ireland's natural wonders as well as furnishings supplied by some of the country's finest local artisans, including stone counters and wool carpets. Marrying contemporary panache with Dublin's Georgian style, our carriages offer a restful haven as the train stables each night.

In Kildare, our saloon-style Observation Car, you can enjoy traditional live music and admire the passing scenery from the large windows as the train crisscrosses patchwork fields and craggy coasts. It's a place where, over a pint of Guinness, stories are shared of the day's excursions: the Gothic church explored, the lough sailed, rare wildlife spotted.

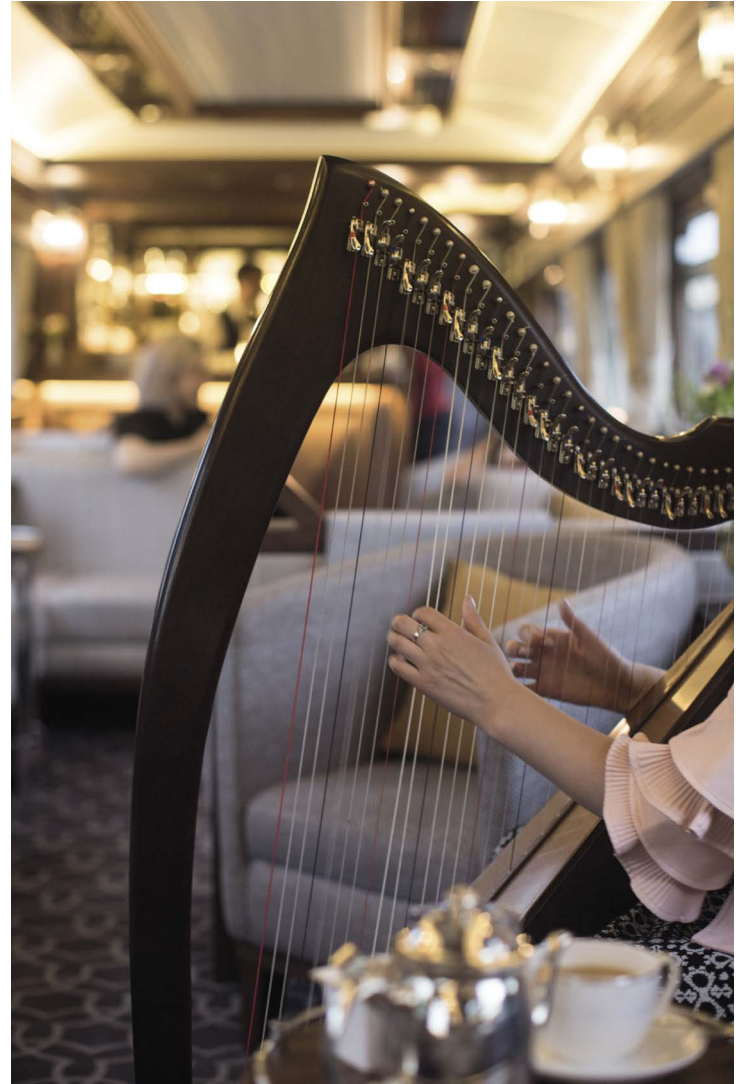
As the evening draws in, dine on seasonal food prepared to world-class standard in Sligo and Wexford, our two Restaurant Cars, with new-found friends. Accommodating just 40 passengers, Belmond Grand Hibernian guarantees the most intimate, convivial of atmospheres. As the great Irish poet W. B. Yeats once wrote: "There are no strangers here; only friends you haven't met yet."











Your Carriage Awaits

CABINS

Our cabins are rich in history yet have a fresh, contemporary feel. Each of the 16 twin and four double cabins provide an en-suite shower room, wardrobe, desk and a picture window through which to admire the unfolding scenery outside. Double cabins can interconnect with twins; an ideal option for families. There is also a wheelchair-adapted cabin for guests with restricted mobility. Take note, too, of the carriage names; each is titled after an Irish county and the cabins within are decorated to match the region's traditional tartan. Kerry boasts brilliant purples, Down has splashes of orange, bold reds set the tone of Leitrim and cool blues welcome travellers in Waterford.

DINING

Dishes which rival some of Dublin's best restaurants are served in our two restaurant cars: the Georgian-style Sligo and airy Wexford, a light space adorned with Irish tweeds and Celtic motifs. Onboard menus showcase

only the finest ingredients and freshest seasonal produce from the regions the train travels through including artisan cheeses and smoked fish.

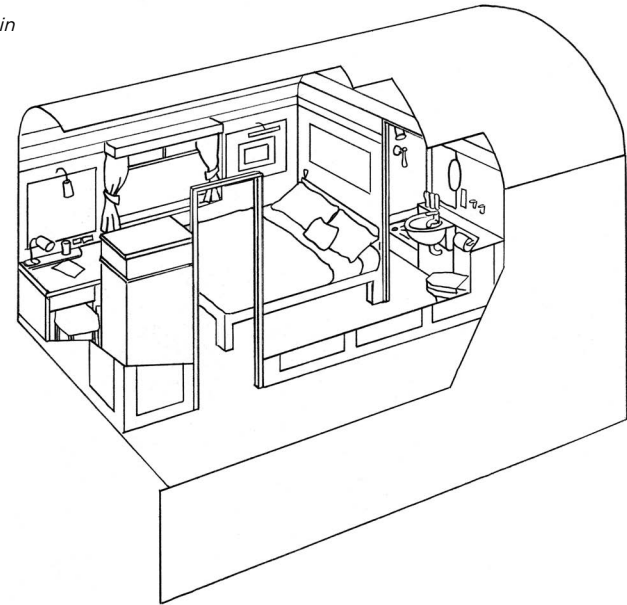
DRESS CODE

There is no formal dress code on board Belmond Grand Hibernian. During the day, while relaxing aboard the train and on excursions, we recommend comfortable clothing. Low-heeled, soft-soled shoes are especially important for comfort during walking visits. Irish weather is unpredictable and rain is possible during any season so we kindly advise passengers to pack with a degree of flexibility in mind.

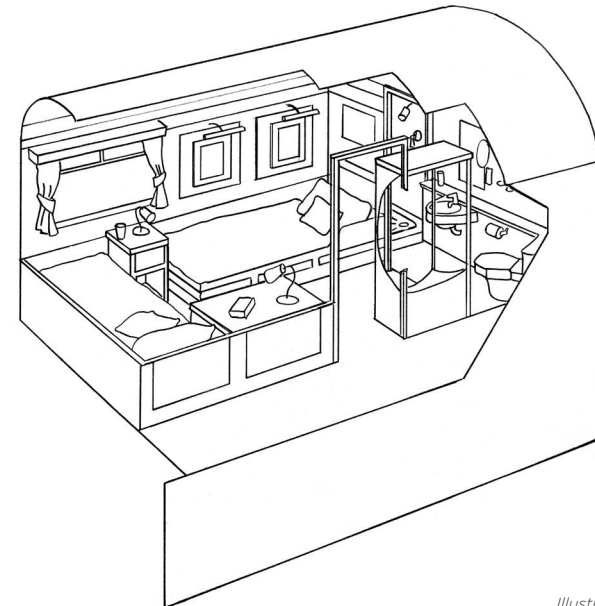
ART COLLECTION

Belmond's first curated collection of contemporary fine art, named Inspirations of Ireland, can be found throughout the train. Each artist featured was selected for their talent in revealing the many facets of Ireland's natural wonders and its breathtaking, dramatic scenery.

Double Cabin



Twin Cabin



Illustrations not to scale



The Journeys

Join us between April and October to discover itineraries that stretch across both Northern Ireland and the Republic of Ireland. Each depart and arrive back to Dublin Heuston Station.

Our two-night trip takes you from Belfast to the medieval city of Kilkenny. For a more in-depth look at this beautiful country, our four-night journey traces Ireland's undulating west coast, taking in Killarney's serene lakes and the otherworldly beauty of Connemara Park as well as historic Galway. Combine the two trips as part of one superlative six-night trip which covers the length and breadth of the enchanting Emerald Isle.

SIGNATURE JOURNEY

- Grand Tour of Ireland
6 Nights

JOURNEYS

- Legends and Loughs
4 Nights
- A Taste of Ireland
2 Nights



Booking Conditions

All Bookings. Our booking conditions apply to all of the trips we offer, including those described in this brochure. The conditions relevant to your booking are available on request by calling your nearest Reservation Office from the following locations: UK: 0845 077 2222 +44 (0)203 117 1300 US: +1 800 524 2420 (toll free), Singapore: +65 6395 0678 or online: <https://www.belmond.com/legal/terms-and-conditions>.

Our booking conditions contain important limitations and exclusions of liability. Please read them before we confirm your booking. Adequate travel insurance is vital. Details of a policy suitable to cover the arrangements you book are available from an advisor at RHG Insurance Brokers on +44 (0)1438 345714 or +44 (0)1438 345719 (please quote "VSOE Travel" when calling). All details are correct at time of going to print. Images are used for illustration purposes only. We reserve the right to amend the price of unsold trips at any time.

The applicable deposit (5% unless otherwise stated) must be paid to us when you book (or if booking within 56 days of departure, full payment must be made on booking).

If there are fewer than 12 passengers in your party, and if you have made your booking more than 56 days before departure and have paid a deposit to secure your booking, the balance of the cost of your arrangements (including any applicable surcharge) is due not less than 56 days prior to scheduled departure.

If there are 12 or more passengers in your party, payments must be made as follows: 15% of the cost of your arrangements is payable on booking, a further 35% of such cost (including any applicable surcharge) is due 90 days before departure (if your booking is made between 90 and 56 days before departure you will be required to pay 50% of the cost of your arrangements on booking and the balance is due 56 days before departure). If your booking is made less than 56 days before departure, you will be required to pay the entire cost of your arrangements at the time of your booking. If we do not receive (in cleared funds) the relevant sum due in full and on time, we reserve the right to treat your booking as cancelled by you, in which case cancellation charges will become payable.

Cancellation charges apply in the event that you or any member of your party cancels a confirmed booking. These charges will increase the closer to your departure date that you notify us of a cancellation.

Non-UK passport holders, including other EU nationals, should obtain up-to-date advice on passport and visa requirements from the Embassy, High Commission or Consulate of your destination or country(ies) through which they are travelling.

Non-EEA Bookings. The Booking Conditions for bookings made by guests outside the EEA can be viewed in full at: <https://www.belmond.com/legal/non-eea-consumer-booking-conditions>.

EEA Bookings. The Booking Conditions for bookings made by guests within the European Economic Area (the "EEA") can be viewed in full here: <https://www.belmond.com/legal/eea-consumer-booking-conditions>.

For these sorts of bookings, we provide financial security for EEA Packages (an "EEA Package" will exist if you are

resident within the EEA and purchase a combination of at least two of the following travel services in a single booking with us, where the arrangement covers a period of more than 24 hours or includes overnight accommodation: (a) transport; (b) accommodation; (c) hire of motor vehicles; or (d) 'other tourist services'. If you buy a combination which includes 'other tourist services' and only one of (a), (b) or (c) above, then this will only be an EEA Package if the 'other tourist services' (i) are not intrinsic to (a), (b) or (c) above, (ii) are not purchased after the start of the performance of (a), (b) or (c) above; and (iii) either account for a significant proportion of the value of the EEA Package (at least 25% of the value of the EEA Package), or otherwise represent an essential feature of the EEA Package).

The following arrangements are not EEA Packages: (i) day trips on the Belmond British Pullman and (ii) any other train journeys (whether booked on their own or with other travel services) which last for less than 24 hours and which are not booked alongside overnight accommodation.

Some of the flights and flight-inclusive holidays which may be shown in this brochure are financially protected by the ATOL scheme. But ATOL protection does not apply to all holiday and travel services listed in this brochure. This brochure shows you the protection that applies in the case of each holiday and travel service offered before you make your booking.

If you do not receive an ATOL Certificate then the booking will not be ATOL protected. If you do receive an ATOL Certificate but all the parts of your trip are not listed on it, those parts will not be ATOL protected. Please see our full EEA Booking Conditions for more information, or for more information about financial protection and the ATOL Certificate go to: www.caa.co.uk. Our ATOL number is 3141 and has been issued by the Civil Aviation Authority, Gatwick Airport South, West Sussex, RH6 0YR, UK, telephone +44 (0)333 103 6350, email: claims@caa.co.uk.

When you buy an EEA Package that does not include a flight, protection is provided by way of a bond held by ABTA The Travel Association, 30 Park Street, London SE1 9EQ, www.abta.co.uk. Our ABTA number is Y6534.

Bookings which are not an EEA Package are not protected by the ATOL or ABTA arrangements described above.

Venice Simplon-Orient-Express Limited. Registered office: Shackleton House, 4 Battle Bridge Lane, London SE1 2HP. Registered in England and Wales No. 1551659 © 2019, Belmond Management Limited.



The Celtic knot together with St Patrick's blue bind together Irish history and our train's design, making them the perfect choice to pattern this cover. Admire the knot as it appears in Ireland's great masterpiece, The Book of Kells, on display in Dublin. Aboard the train, this ancient symbol weaves its way across the carriages, from the livery to the decor. While the colour green has long been part of local lore, it is the deep blue of the 5th-century missionary saint that is the official colour of state. Spot it on the country's coat of arms as you enjoy your Irish adventure.